



# Summerbrook O u t d o o r s

The Outdoor Room Experts!



## Designer Series

THE MOST AMAZING OUTDOOR ROOMS





**Summerbrook**  
O u t d o o r s

## Designer Series

## Contents

|                            |       |
|----------------------------|-------|
| Finishes .....             | 1     |
| Islands .....              | 3-13  |
| Fireplaces .....           | 14-19 |
| Pergolas .....             | 20-24 |
| Firepits .....             | 25-27 |
| Room Concepts .....        | 28-34 |
| Ordering Information ..... | 35-36 |
| Warranty .....             | 37    |

### CONFIDENTIAL

This is not a published work and is a confidential internal document of Everburn / Housewarmings Outdoor. It cannot be reproduced in whole or in part without the express written permission of Everburn / Housewarmings Outdoor.



## Stucco Selections



Brushwood



Clay Powder



Slate



Tundra

## Stone Selections



Gola



Matera



Bergamo



Cremona

## Granite Selections



Baltic Brown



Venetian



Black (Leather Finish / Chiseled Edge)

Manufacturer reserves the right to discontinue or substitute any above finishes without notice based on availability



## Body Tile Selections



Beach



Low Tide



Night Fog



Dock Side



Harbor Mist



Ship Lap



Pier

## Border Tile Selections



Harbor Mist

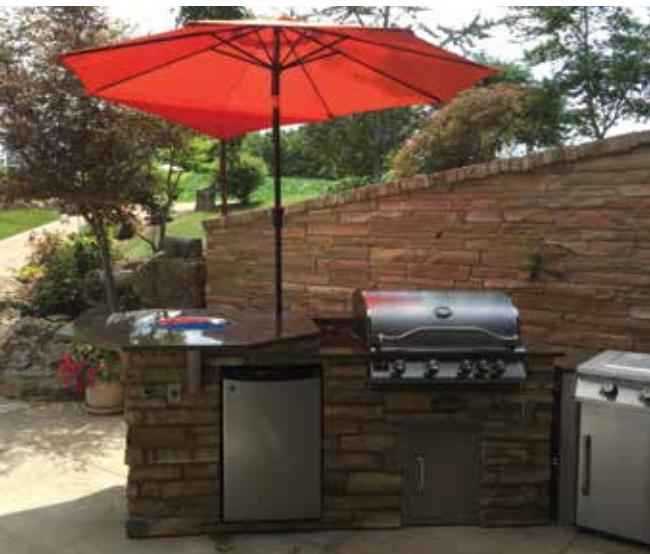


Pier

Manufacturer reserves the right to discontinue or substitute any above finishes without notice based on availability

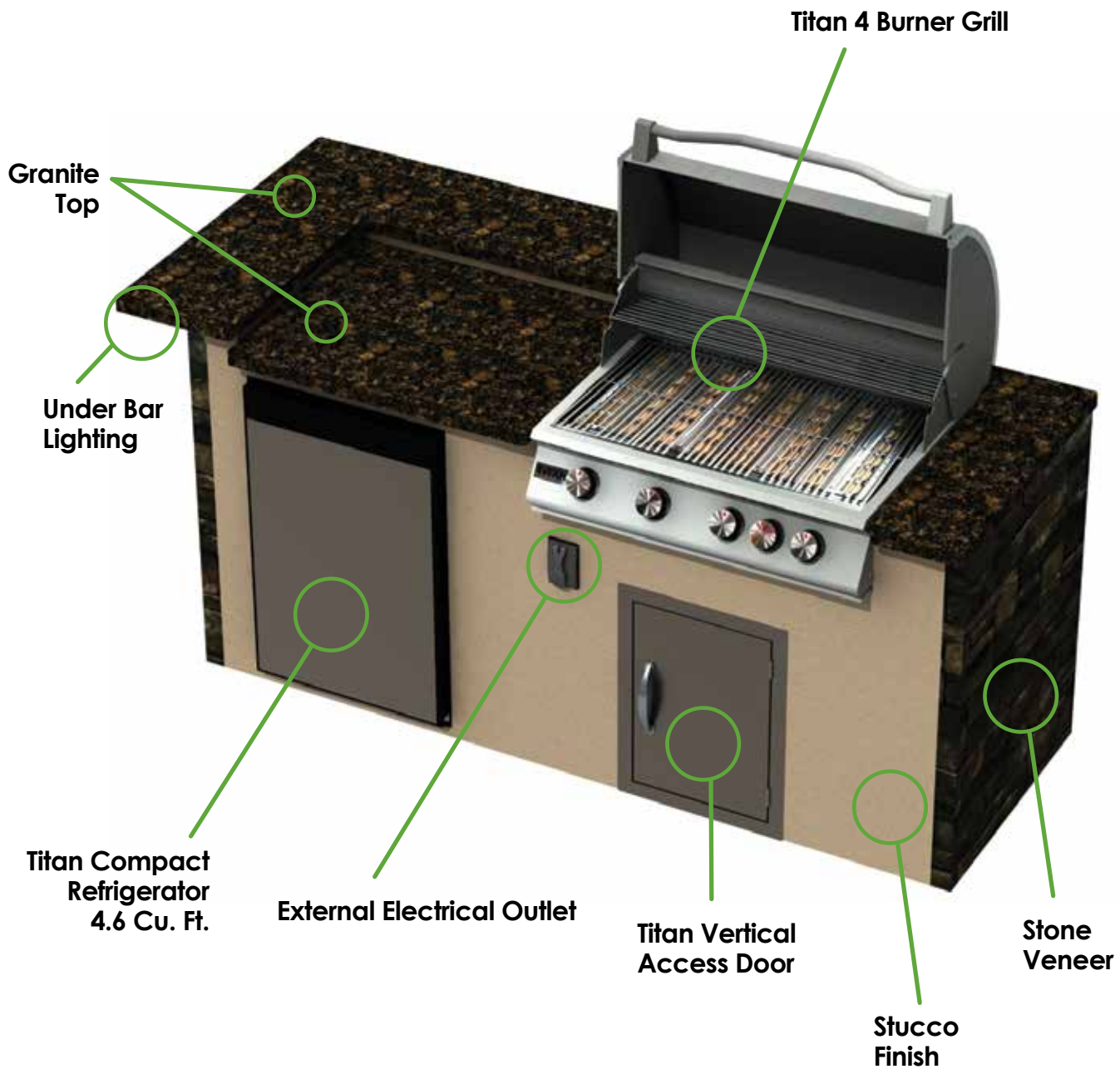


## Islands



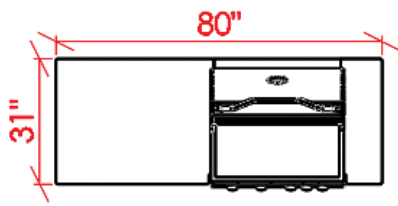


# Kitchen Island Anatomy

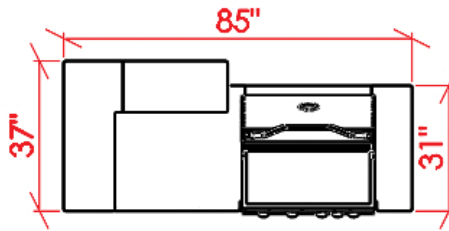


- All electrical components (wiring, switches, lighting) are factory finished

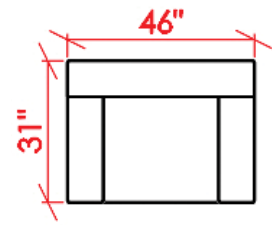
# Island Overview



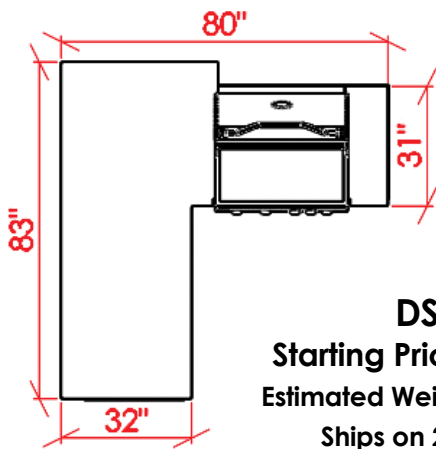
**DS1**  
Starting Price: \$5,999  
Estimated Weight: 1100 lbs  
Ships on 1 Pallet



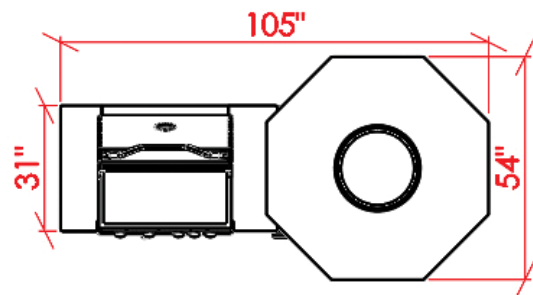
**DS2**  
Starting Price: \$6,499  
Estimated Weight: 1250 lbs  
Ships on 1 Pallet



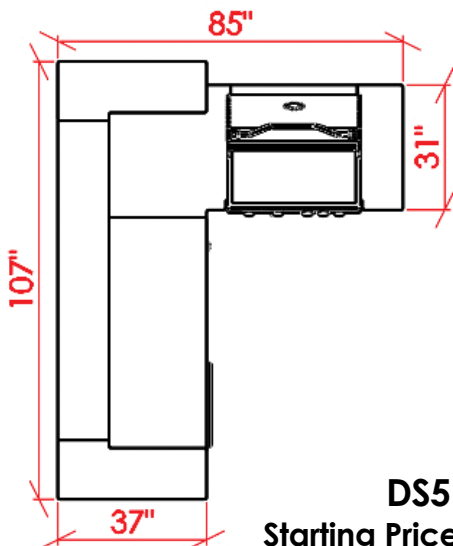
**Smoker Extension**  
Starting Price: \$2,750  
Estimated Weight: 400 lbs  
Permanently attached to island at factory



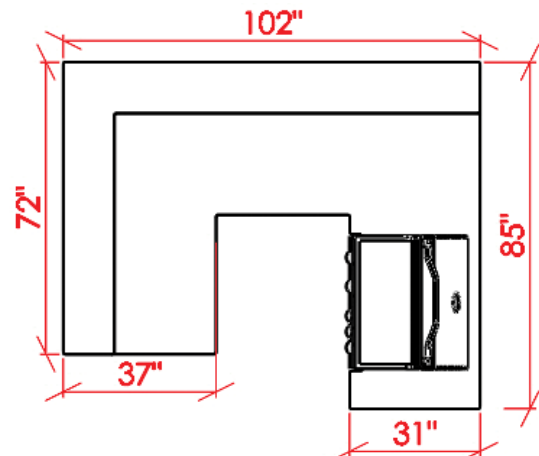
**DS3**  
Starting Price: \$6,999  
Estimated Weight: 1500 lbs  
Ships on 2 Pallets



**DS4**  
Starting Price: \$8,699  
Estimated Weight: 1750 lbs  
Ships on 1 Pallet

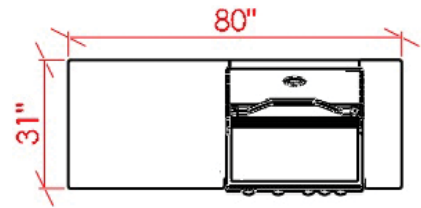


**DS5**  
Starting Price: \$9,999  
Estimated Weight: 2000 lbs  
Ships on 2 Pallets



**DS6**  
Starting Price: \$18,699  
Estimated Weight: 2500 lbs  
Ships on 3 Pallets

\*Dimensions are approximate and may vary slightly



## Included in the Island



Titan 4 Burner Grill



Refrigerator



Vertical Access Door



Finished Internal Electric

## Granite Top Kitchen

|   |         |
|---|---------|
| Stucco Base w/ Granite Top .....                    | \$6,199 |
| Stone on Back and End Surfaces w/ Granite Top ..... | \$7,799 |
| Stone on All Surfaces w/ Granite Top .....          | \$8,599 |

## Tile Top Kitchen

|  |         |
|--|---------|
| Stucco Base w/ Tile Top .....                    | \$5,999 |
| Stone on Back and End Surfaces w/ Tile Top ..... | \$7,599 |
| Stone on All Surfaces w/ Tile Top .....          | \$8,599 |

## Modifications

|                                       |         |  |       |
|---------------------------------------|---------|--|-------|
| Remove Grill and Change Opening ..... | \$1,128 | Black Granite (Leather Finish / Chiseled Edge) ..... | \$299 |
|---------------------------------------|---------|--|-------|

## Available Upgrades



Fitted Cover  
HWO-DSPC  
\$499



Infrared Sear Burner  
HWO-ISB  
\$133



Rotisserie  
HWO-4BR  
\$173



Umbrella Hole  
HWO-GUH  
\$199



External Electrical Outlet  
HWO-EEO  
\$249

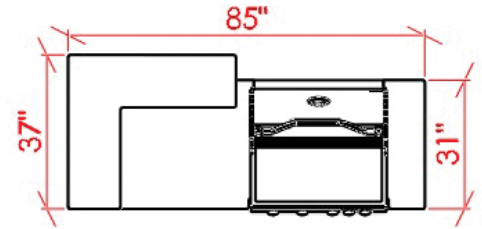


Titan Single Side Burner  
HWO-TSB  
\$559



Smoker Extension (Right or Left Side)  
HWO-SME | Stucco Only: \$2,750  
Stone Back & End: \$3,570 | All Stone: \$3,880





**Included in the Island**



Titan 4 Burner Grill



Refrigerator



Vertical Access Door



Finished Internal Electric



Under Bar Lighting

**Granite Top Kitchen**

|   |         |
|---|---------|
| Stucco Base w/ Granite Top .....                    | \$6,699 |
| Stone on Back and End Surfaces w/ Granite Top ..... | \$8,299 |
| Stone on All Surfaces w/ Granite Top .....          | \$8,999 |

**Tile Top Kitchen**

|  |         |
|--|---------|
| Stucco Base w/ Tile Top .....                    | \$6,499 |
| Stone on Back and End Surfaces w/ Tile Top ..... | \$8,099 |
| Stone on All Surfaces w/ Tile Top .....          | \$8,799 |

**Modifications**

|                                       |         |  |       |
|---------------------------------------|---------|--|-------|
| Remove Grill and Change Opening ..... | \$1,128 | Black Granite (Leather Finish / Chiseled Edge) ..... | \$299 |
|---------------------------------------|---------|--|-------|

**Available Upgrades**



Fitted Cover  
HWO-DSIC  
\$499



Infrared Sear Burner  
HWO-ISB  
\$133



Rotisserie  
HWO-4BR  
\$173



Umbrella Hole  
HWO-GUH  
\$199



External Electrical Outlet  
HWO-EEO  
\$249



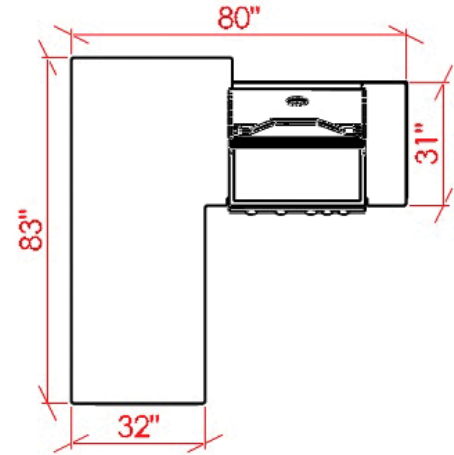
Titan Single Side Burner  
HWO-TSB  
\$559



Smoker Extension (Right or Left Side)  
HWO-SME | Stucco Only: \$2,750  
Stone Back & End: \$3,570 | All Stone: \$3,880



Made in USA



## Included in the Island



Titan 4 Burner Grill



Refrigerator



Vertical Access Door



Finished Internal Electric



Under Bar Lighting

## Granite Top Kitchen

|   |          |
|---|----------|
| Stucco Base w/ Granite Top .....                    | \$8,099  |
| Stone on Back and End Surfaces w/ Granite Top ..... | \$9,999  |
| Stone on All Surfaces w/ Granite Top .....          | \$10,799 |

## Tile Top Kitchen

|  |         |
|--|---------|
| Stucco Base w/ Tile Top .....                    | \$6,999 |
| Stone on Back and End Surfaces w/ Tile Top ..... | \$8,899 |
| Stone on All Surfaces w/ Tile Top .....          | \$9,699 |

## Modifications

|                                       |         |  |       |
|---------------------------------------|---------|--|-------|
| Remove Grill and Change Opening ..... | \$1,128 | Black Granite (Leather Finish / Chiseled Edge) ..... | \$359 |
|---------------------------------------|---------|--|-------|

## Available Upgrades



Fitted Cover  
HWO-DSBC  
\$579



Infrared Sear Burner  
HWO-ISB  
\$133



Rotisserie  
HWO-4BR  
\$173



Umbrella Hole  
HWO-GUH  
\$199



External Electrical Outlet  
HWO-EEO  
\$249



Titan Single Side Burner  
HWO-TSB  
\$559

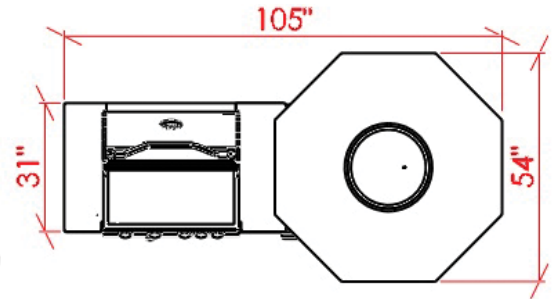


Smoker Extension (Right Side Only)  
HWO-SME | Stucco Only: \$2,750  
Stone Back & End: \$3,570 | All Stone: \$3,880





Made in USA



### Included in the Island



Titan 4 Burner Grill



Refrigerator



Vertical Access Door



Firepit Appliance (on/off valve & spark ignitor)



Finished Internal Electric



Under Bar Lighting

### Granite Top Kitchen

|   |          |
|---|----------|
| Stucco Base w/ Granite Top .....                    | \$9,599  |
| Stone on Back and End Surfaces w/ Granite Top ..... | \$11,199 |
| Stone on All Surfaces w/ Granite Top .....          | \$11,999 |

### Tile Top Kitchen

|  |          |
|--|----------|
| Stucco Base w/ Tile Top .....                    | \$8,699  |
| Stone on Back and End Surfaces w/ Tile Top ..... | \$10,299 |
| Stone on All Surfaces w/ Tile Top .....          | \$11,099 |

### Modifications

|                                       |         |  |       |
|---------------------------------------|---------|--|-------|
| Remove Grill and Change Opening ..... | \$1,128 | Black Granite (Leather Finish / Chiseled Edge) ..... | \$359 |
|---------------------------------------|---------|--|-------|

### Available Upgrades



Fitted Cover  
HWO-DSHC  
\$749



Infrared Sear Burner  
HWO-ISB  
\$133



Rotisserie  
HWO-4BR  
\$173



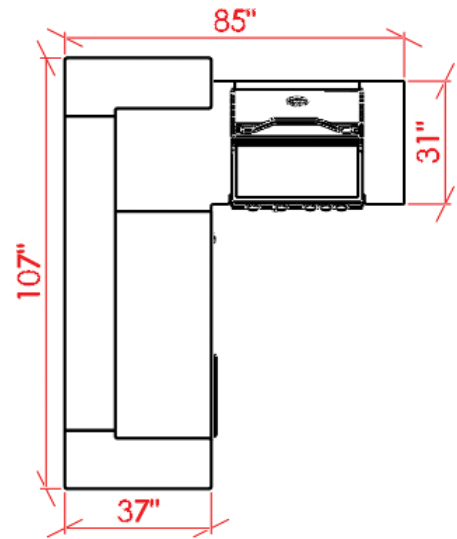
Umbrella Hole  
HWO-GUH  
\$199



External Electrical Outlet  
HWO-EEO  
\$249



Smoker Extension (Left Side Only)  
HWO-SME | Stucco Only: \$2,750  
Stone Back & End: \$3,570 | All Stone: \$3,880



## Included in the Island



Titan 4 Burner Grill



Refrigerator



Vertical Access Door



Finished Internal Electric



Under Bar Lighting

## Granite Top Kitchen

|   |          |
|---|----------|
| Stucco Base w/ Granite Top .....                    | \$10,999 |
| Stone on Back and End Surfaces w/ Granite Top ..... | \$13,799 |
| Stone on All Surfaces w/ Granite Top .....          | \$14,699 |

## Tile Top Kitchen

|  |          |
|--|----------|
| Stucco Base w/ Tile Top .....                    | \$9,999  |
| Stone on Back and End Surfaces w/ Tile Top ..... | \$12,799 |
| Stone on All Surfaces w/ Tile Top .....          | \$13,699 |

## Modifications

|                                       |         |  |       |
|---------------------------------------|---------|--|-------|
| Remove Grill and Change Opening ..... | \$1,128 | Black Granite (Leather Finish / Chiseled Edge) ..... | \$399 |
|---------------------------------------|---------|--|-------|

## Available Upgrades



Fitted Cover  
HWO-DSTC  
\$749



Infrared Sear Burner  
HWO-ISB  
\$133



Rotisserie  
HWO-4BR  
\$173



Umbrella Hole  
HWO-GUH  
\$199



External Electrical Outlet  
HWO-EEO  
\$249



Titan Single Side Burner  
HWO-TSB  
\$559

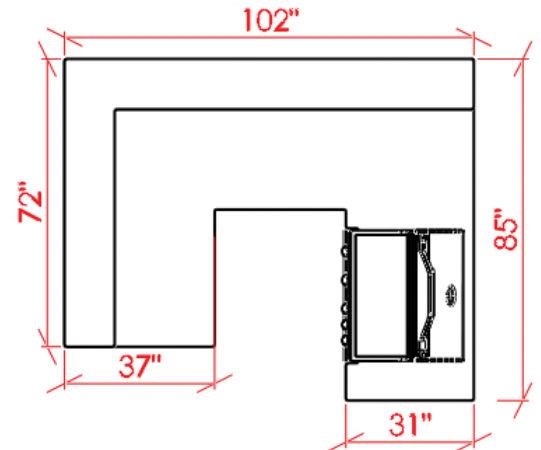


Smoker Extension (Right Side Only)  
HWO-SME | Stucco Only: \$2,750  
Stone Back & End: \$3,570 | All Stone: \$3,880





Made in USA



### Included in the Island



Titan 4 Burner Grill



Refrigerator



Vertical Access Door



Finished Internal Electric



Under Bar Lighting

### Granite Top Kitchen

|   |          |
|---|----------|
| Stucco Base w/ Granite Top .....                    | \$20,349 |
| Stone on Back and End Surfaces w/ Granite Top ..... | \$23,379 |
| Stone on All Surfaces w/ Granite Top .....          | \$24,999 |

### Tile Top Kitchen

|  |          |
|--|----------|
| Stucco Base w/ Tile Top .....                    | \$18,699 |
| Stone on Back and End Surfaces w/ Tile Top ..... | \$21,729 |
| Stone on All Surfaces w/ Tile Top .....          | \$23,349 |

### Modifications

|                                       |         |  |       |
|---------------------------------------|---------|--|-------|
| Remove Grill and Change Opening ..... | \$1,128 | Black Granite (Leather Finish / Chiseled Edge) ..... | \$599 |
|---------------------------------------|---------|--|-------|

### Available Upgrades



Fitted Cover  
HWO-DSHC  
\$999



Infrared Sear Burner  
HWO-ISB  
\$133



Rotisserie  
HWO-4BR  
\$173



External Electrical Outlet  
HWO-EEO  
\$249



Titan Single Side Burner  
HWO-TSB  
\$559



Smoker Extension  
HWO-SME | Stucco Only: \$2,750  
Stone Back & End: \$3,570 | All Stone: \$3,880

# Compatible Grills



- E660
- E790
- A540
- A660
- A790
- C540
- 14-SC01C-A



- 30NB
- 36NB



- TEBQ30
- TEBQ36
- TECG30



- BLZ-4
- BLZ-5



- Lonestar Select
- Outlaw
- Angus
- Brahma
- Renegade
- Bison



- DHBQ32
- DHBQ38



- BIPRO500
- BIPRO665
- BIP500
- BIM485
- BIM605



- 4 Burner
- 5 Burner



- SS500
- SS670
- SSE1500
- SSE1670



- ALT30
- ALT36
- TRL32
- TRL38
- SIZ32
- SIZ40
- SIZPRO32
- SBG32



- SF-432
- SF-538

\*Not limited to above selection.



## Unique design. Higher quality. Better results.

*Titan Grills... immortalize your Grilling!*



### ▲ Grill Heads

Titan's dual lined 304 commercial grade stainless steel grill heads are both attractive and functional. Our curved hood with polished edges and ergonomically designed handles set us apart from the crowd.

### ▼ Components

Titan offers a full line of commercial grade components. All of our components are 100% stainless steel. Each piece is finished off with polished chrome handles.



### ◀ Single Side Burner

Our Single Side Burner packs a powerful punch. It features 12,000 BTUs of cooking power for those massive pots of chili or soups.

### ▲ Refrigerator

Our refrigerator features a stainless steel front panel along with 4.6 Cubic Ft. of storage including a freezer. Unlike many others, our refrigerator is also lockable and includes two keys.

### Affordable

Titan uses the same materials, cooking systems, and production techniques as other premium grill manufacturers, but unlike the other premium home grills, our products are affordable.



### ◀ Grates

Titan uses commercial grade 8mm solid stainless steel cooking grates and full length warming racks. Our heavy duty grates hold in the heat and transfer that heat into the food. This process seals in moisture and flavor while creating restaurant quality sear marks that will be sure to impress your family and friends. Our warming racks expand your cooking space and are great for breads and vegetables.

### ▲ Cooking

Titan's unique briquette cooking system is second to none. Titan brings you the perfect combination of direct and radiant heat grilling. Traditional open flame cooking systems can dry out your food and char the edges. Our cooking system reduces flare-ups and allows for more even heat distribution which results in better cooking and more importantly, better tasting food.



### ▲ Burner

Titan's 10,000 BTU infrared rear burner expands your cooking capabilities by enabling you to use your grill for baking, roasting, and rotisserie style cooking.



### ◀ Heat

All Titan grills come equipped with commercial grade, side ported, stainless steel tube burners. The use of straight burners helps to ensure even heat distribution.

### Knobs ▶

Titan's knobs are die cast with stainless steel bezels. Each knob is engraved and hand painted with a red flame that allows you to easily see the cooking position of each burner.



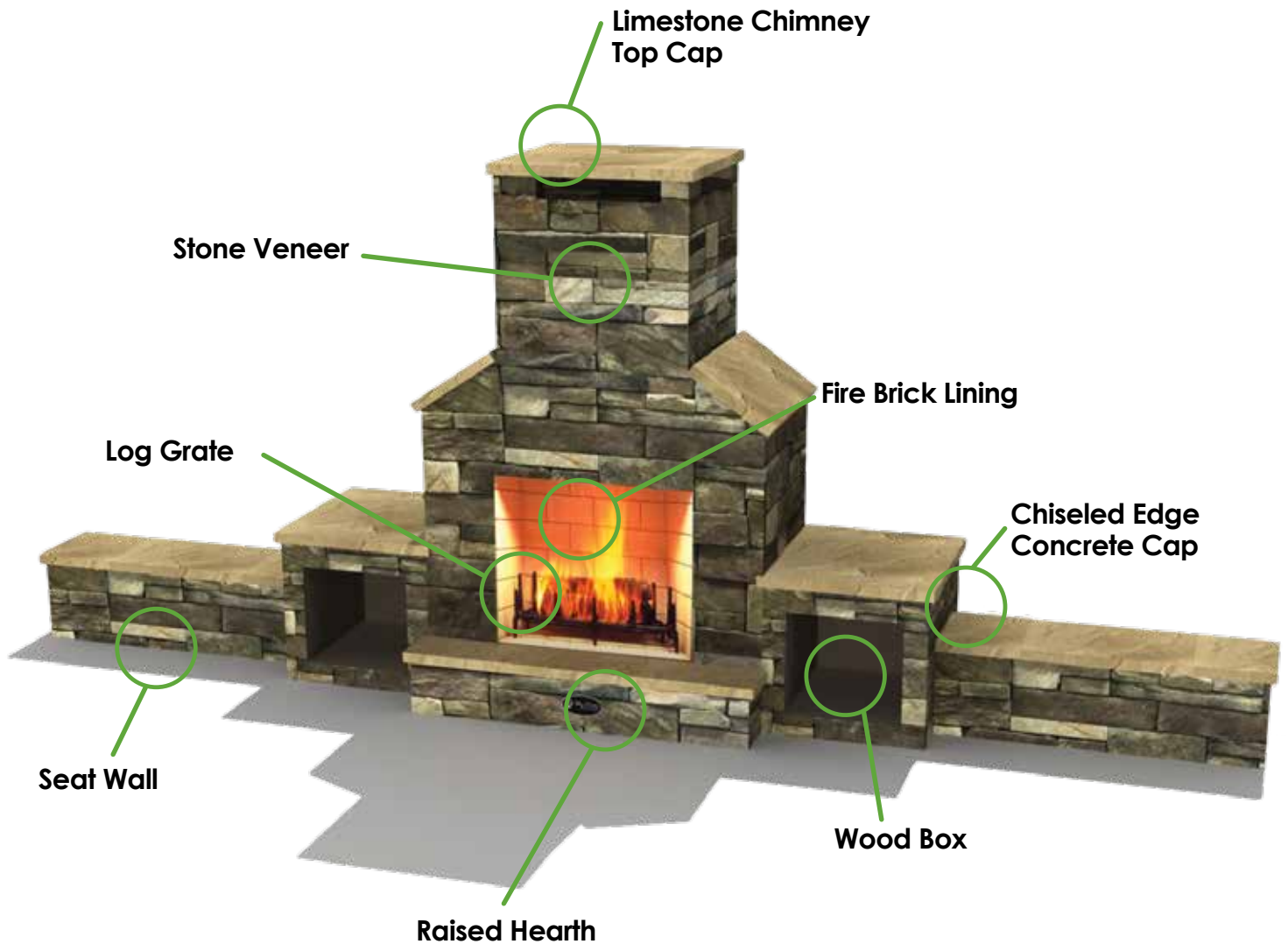




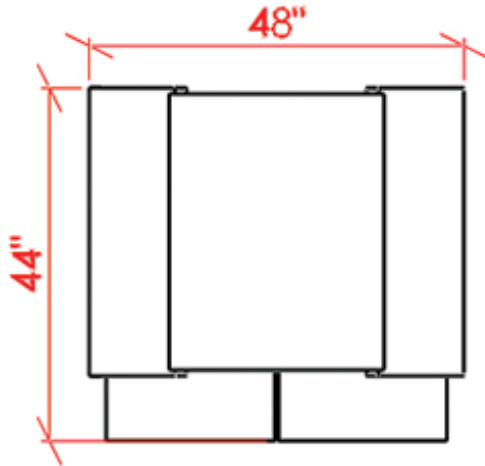
## Fireplaces



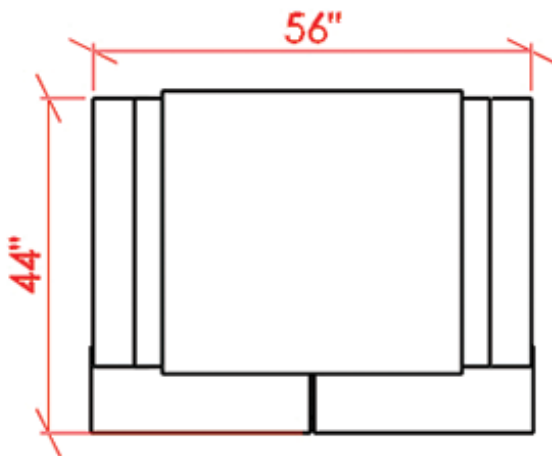




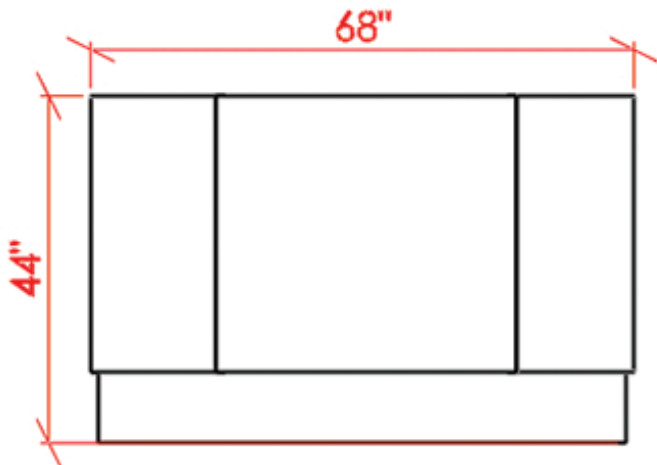
- Fireplace core UL rated masonry fireplace
  - All Fireplaces include Fire Brick Lining
  - All Fireplaces include wood burning log rack
  - All Fireplaces have concealed fork lift slots
- All Fireplaces are strategically built in sections for easy install & delivery
  - All gas lines are factory installed with Optional Log Lighter



**DFP1**  
**Starting Price: \$6,613**  
**Estimated Weight: 3250 lbs**  
**Ships on 1 Pallet**



**DFP2**  
**Starting Price: \$11,129**  
**Estimated Weight: 4200 lbs**  
**Ships on 1 Pallet**

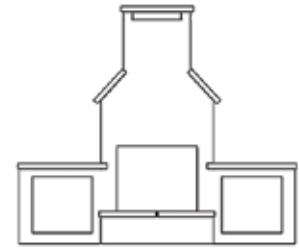


**DFP3**  
**Starting Price: \$13,229**  
**Estimated Weight: 4500 lbs**  
**Ships on 1 Pallet**

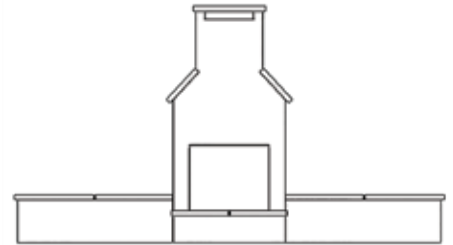




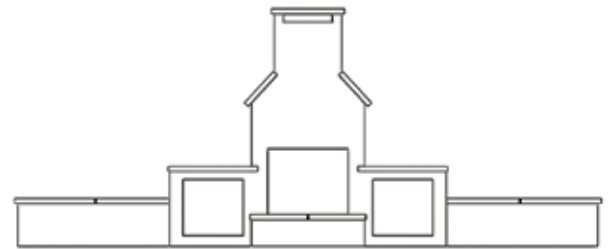
Made in USA



With Wood Boxes



With Seat Walls



With Wood Boxes & Seat Walls

### Included in Fireplace



Chiseled Edge Concrete



Fire Brick Lining



Log Grate



Limestone Chimney Cap

### Finish Options

Stone Finish ..... **\$6,613**

### Available Accessories



Log Lighter Kit  
\$849 • LL12



Stone Mantle  
\$799 • MSS



Log Set w/ Key Valve  
\$1,759 • 18LS



3ft Chimney Extension  
\$1,869 • 3CE



Wood Box (Pair)  
\$2,719 • HWO-WB30



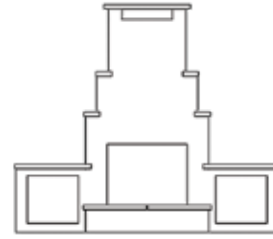
Arched Opening  
\$299 Each • BOA



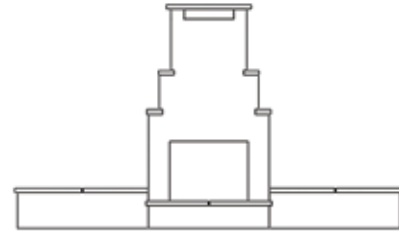
Straight Seat Wall (Pair)  
\$2,419 • HWO-SW60



Made in USA



With Wood Boxes



With Seat Walls



With Wood Boxes & Seat Walls

## Included in Fireplace



Chiseled Edge Concrete



Fire Brick Lining



Log Grate



Limestone Chimney Cap

## Finish Options

Stone Finish

**\$11,129**

## Available Accessories



Log Lighter Kit  
\$849 • LL12



Stone Mantle  
\$799 • MSS



Log Set w/ Key Valve  
\$1,899 • 24LS



3ft Chimney Extension  
\$2,639 • 3CE



Wood Box (Pair)  
\$2,719 • HWO-WB30



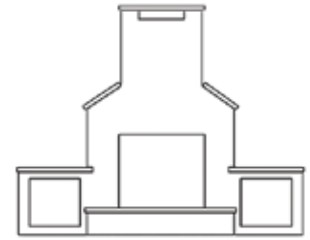
Arched Opening  
\$439 Each • BOA



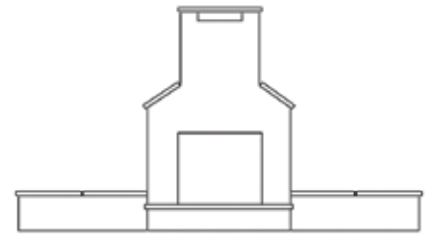
Straight Seat Wall (Pair)  
\$2,419 • HWO-SW60



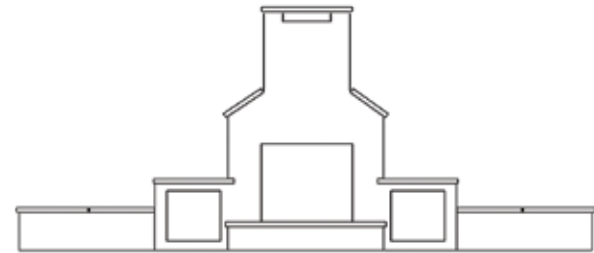
Made in USA



With Wood Boxes



With Seat Walls



With Wood Boxes & Seat Walls

### Included in Fireplace



Chiseled Edge Concrete



Fire Brick Lining



Log Grate



Limestone Chimney Cap

### Finish Options

Stone Finish

**\$13,228**

### Available Accessories



Log Lighter Kit  
\$849 • LL12



Stone Mantle  
\$799 • MSS



Log Set w/ Key Valve  
\$1,899 • 24LS



3ft Chimney Extension  
\$2,639 • 3CE



Wood Box (Pair)  
\$2,719 • HWO-WB30



Arched Opening  
\$439 Each • BOA



Straight Seat Wall (Pair)  
\$2,419 • HWO-SW60

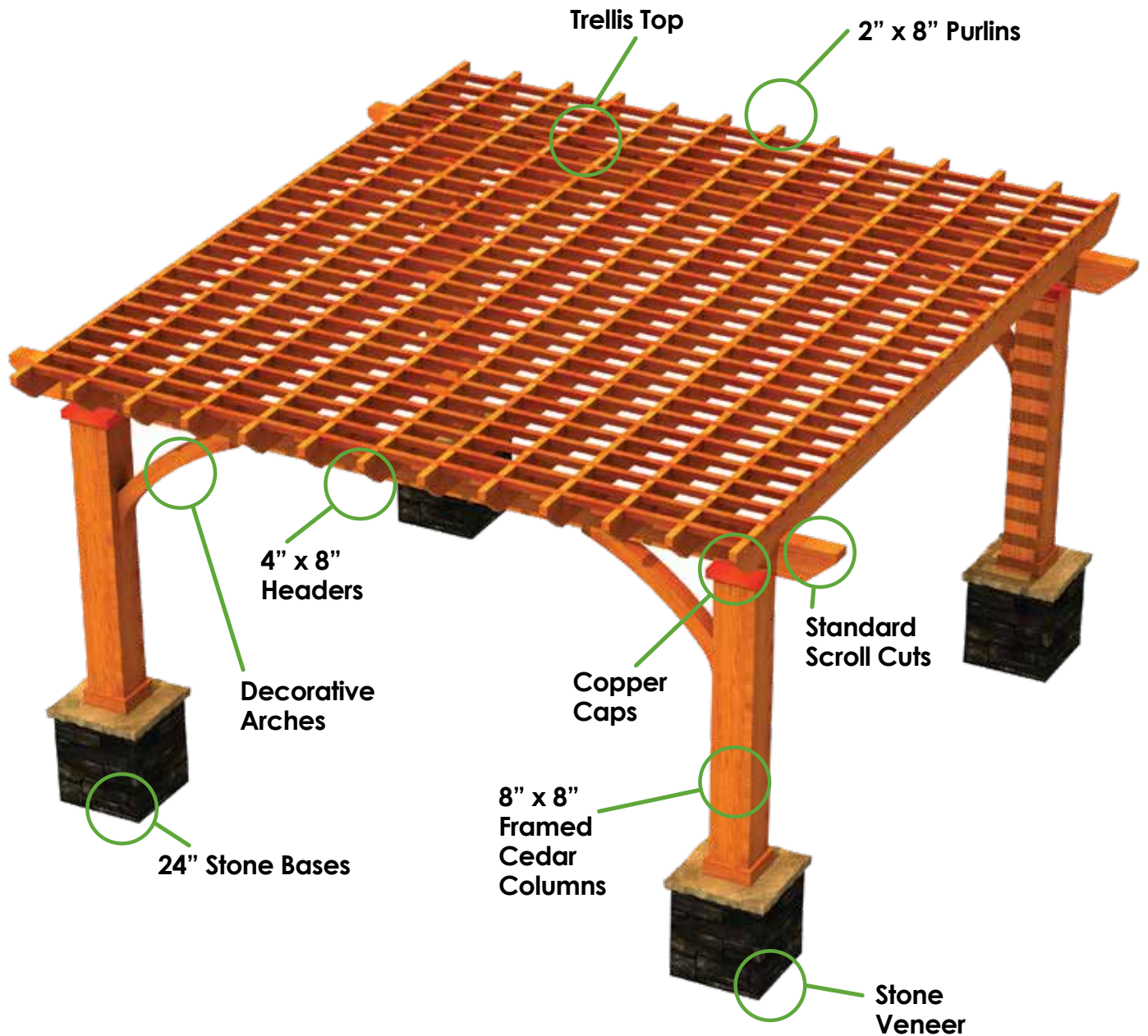




## Pergolas



# Pergola Anatomy



- All Pergolas are constructed with Western Red Cedar
  - All Pergolas include Mounting Hardware
- Pergolas are sized by Canopy (Header length & Purlin length)
- Headers & Purlins are notched to provide precise alignment & additional structural support



| Pergola Size | Base Cost | Canopy Upgrades |
|--------------|-----------|-----------------|
|              |           | Trellis Top     |
| 10 x 10      | \$3,660   | \$1,100         |
| 12 x 10      | \$3,733   | \$1,320         |
| 12 x 12      | \$3,910   | \$1,584         |
| 14 x 12      | \$4,608   | \$1,848         |
| 14 x 14      | \$4,838   | \$2,156         |
| 16 x 14      | \$5,588   | \$2,464         |
| 16 x 16      | \$5,855   | \$2,816         |
| 18 x 16      | \$6,213   | \$3,168         |
| 18 x 18      | \$6,445   | \$3,564         |



## Included in Pergola

- 4" x 8" Header in Rough Cut Western Red Cedar
- 2" x 8" Purlin in Rough Cut Western Red Cedar
- 8" x 8" x 8' Framed Cedar Posts
- Standard Scroll Cuts
- Mounting Hardware

## Finish Options

- Clear Sealer (Canopy & Posts) ..... \$599
- Stain (Canopy & Posts) ..... \$999

## Available Accessories

|   |   |   |  |  |
|---|---|---|--|--|
| <br>Decorative Arches (4)<br>\$459 | <br>Angled Corner Supports (4)<br>\$329  | <br>Copper Caps (4)<br>\$499   | <br>24" Stone Bases (4)<br>\$3,299   | <br>Up / Down Lighting<br>\$1,899<br>Includes routing for wire.<br>Wire not included. |
| <br>Heater<br>\$329                | <br>White Fan Kit<br>\$879<br>Includes routing for wire.<br>Wire not included. | <br>Tropical Fan Kit<br>\$879<br>Includes routing for wire.<br>Wire not included. | <br>Bronze Fan Kit<br>\$879<br>Includes routing for wire.<br>Wire not included. |  |





| Pergola Size | Base Cost | Canopy Upgrades |
|--------------|-----------|-----------------|
|              |           | Trellis Top     |
| 10 x 10      | \$4,098   | \$1,100         |
| 12 x 10      | \$4,170   | \$1,320         |
| 12 x 12      | \$4,348   | \$1,584         |
| 14 x 12      | \$5,045   | \$1,848         |
| 14 x 14      | \$5,275   | \$2,156         |
| 16 x 14      | \$6,025   | \$2,464         |
| 16 x 16      | \$6,293   | \$2,816         |
| 18 x 16      | \$6,650   | \$3,168         |
| 18 x 18      | \$6,883   | \$3,564         |

### Included in Pergola

- 4" x 8" Header in Rough Cut Western Red Cedar
- 2" x 8" Purlin in Rough Cut Western Red Cedar
- 10" x 8' Round Tapered Columns
- Painted Columns, Caps & Bases (Semi-Gloss White Paint)
- Standard Scroll Cuts
- Mounting Hardware

### Finish Options

- Clear Sealer (Canopy Only) ..... \$599
- Stain (Canopy Only) ..... \$999

### Available Accessories

|  |   |  |   |
|--|---|--|---|
|  <p>Copper Caps (4)<br/>\$499</p>   |  <p>24" Stone Bases (4)<br/>\$3,299</p>  |  <p>Up / Down Lighting<br/>\$1,899</p> <p><i>Includes routing for wire.<br/>Wire not included.</i></p> |  <p>Heater<br/>\$329</p> |
|  <p>White Fan Kit<br/>\$879</p> <p><i>Includes routing for wire.<br/>Wire not included.</i></p> |  <p>Tropical Fan Kit<br/>\$879</p> <p><i>Includes routing for wire.<br/>Wire not included.</i></p> |  <p>Bronze Fan Kit<br/>\$879</p> <p><i>Includes routing for wire.<br/>Wire not included.</i></p>       |   |



Cross supports are for metal roof only

| Pergola Size | Base Cost | Canopy Upgrades     |            |
|--------------|-----------|---------------------|------------|
|              |           | Tongue & Groove Top | Metal Roof |
| 12 x 10      | \$7,299   | \$1,169             | \$769      |
| 14 x 12      | \$9,399   | \$1,719             | \$1,099    |
| 16 x 14      | \$10,999  | \$2,299             | \$1,429    |
| 18 x 16      | \$13,599  | \$2,969             | \$1,869    |



## Included in Pergola

- 4" x 8" Header in Rough Cut Western Red Cedar
- 2" x 8" Purlin in Rough Cut Western Red Cedar
- 8" x 8" x 8' Framed Cedar Posts
- Standard Scroll Cuts
- Mounting Hardware
- Straight Corner Supports (8)

## Finish Options

- Clear Sealer (Canopy & Posts) ..... \$599
- Stain (Canopy & Posts) ..... \$999

## Available Accessories



Decorative Post & Gable Arches: \$249



Copper Caps (4) \$499



24" Stone Bases (4) \$3,299



Tongue & Groove Top (Pricing Above)



Heater \$329



Metal Roof (Pricing Above)



Up / Down Lighting \$1,899

Includes routing for wire. Wire not included.



White Fan Kit \$879

Includes routing for wire. Wire not included.



Tropical Fan Kit \$879

Includes routing for wire. Wire not included.



Bronze Fan Kit \$879

Includes routing for wire. Wire not included.

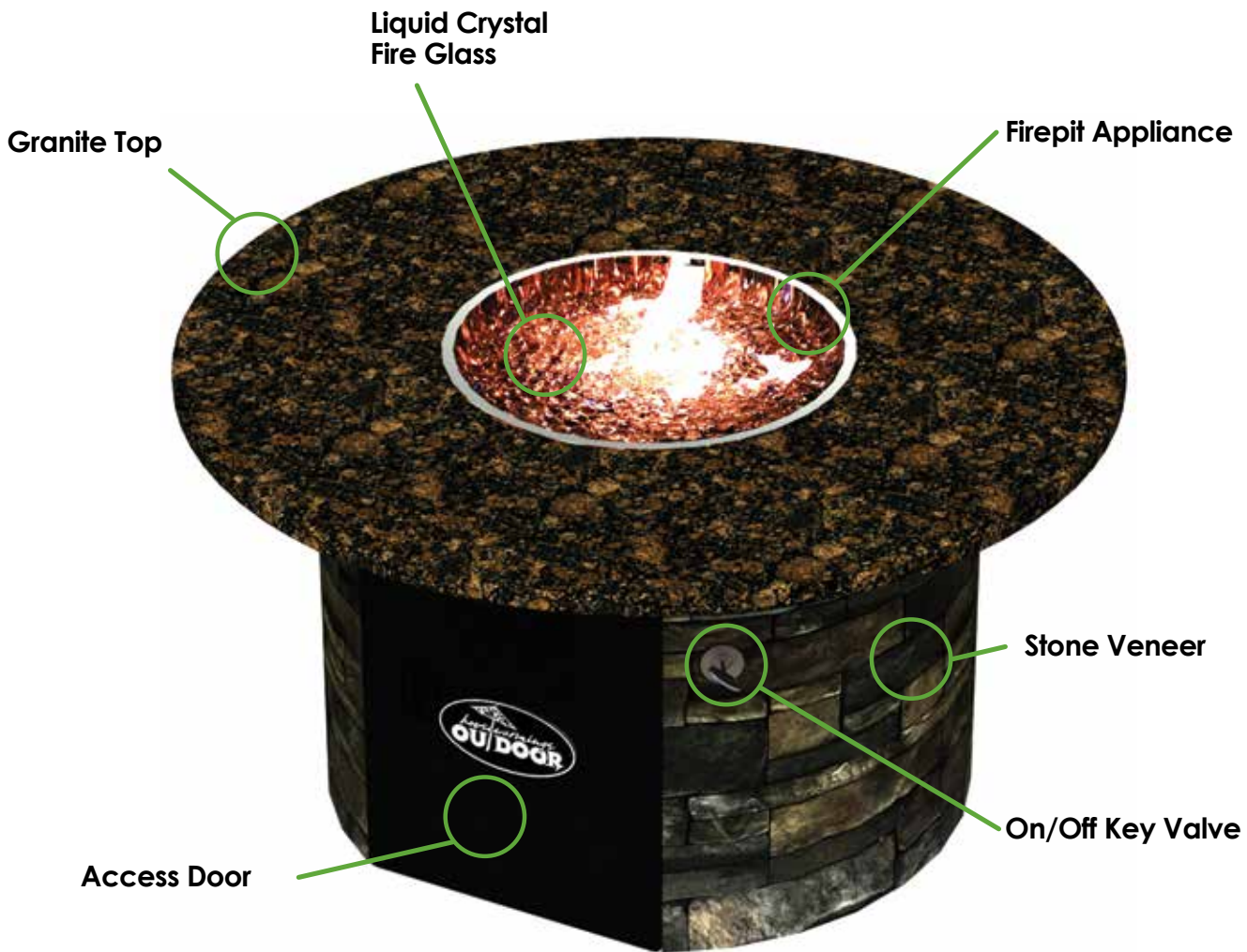




## Firepits







- Chat Height Firepits are approximately 26" tall
  - 60,000 BTU Firepit Appliance
- Firepit Appliance will arrive in original box, installer to install and connect
  - Firepit Appliance arrives standard with Liquid Crystal Fire Glass
    - On/Off Key Valve
  - Spark Ignitor located behind Access Door



## DSF1

**Baltic Brown / Venetian Granite \$2,649**  
**Black Granite (Leather Finish / Chiseled Edge) \$2,749**



## DSF2

**Baltic Brown / Venetian Granite \$2,699**  
**Black Granite (Leather Finish / Chiseled Edge) \$2,799**

### ■ Available Accessories

Fitted Cover \$79

Glass Shield \$329







## Room Concepts





**SSDP1**



**SSDP2**



**SSDP3**



**SSDP4**





**SSDP5**



**SSDP6**





**SSDP7**



**SSDP8**



**SSDP9**



**SSDP10**





**SSDP11**



**SSDP12**

## **Step 1: Enter the Order Date, P.O. #, and Dealer**

## **Step 2: Fill out the Customer Profile**

*Note: if you are ordering a product to display on your showroom floor, only fill out the name with “Display”*

## **Step 3: Select the Product Model # you are ordering (Island, Fireplace, Pergola, Firepit)**

*Note: if you are ordering multiple products within the same category, you will need to fill out an order form for **each** product you are ordering.*

## **Step 4: Select a Finish pertaining to your selected model (Stucco, Stone, Tile, Granite)**

## **Step 5: Select a Gas Type (LP / NG) for the main appliance (Grill, Firepit, Log Lighter)**

## **Step 6: Select all applicable Upgrades & Accessories (Fitted Cover, Rotisserie, etc.)**

*Note: if you are ordering multiple products within the same category, you will need to fill out an order form for **each** product you are ordering.*

## **Step 7: Save the electronic version of the Order Form**

## **Step 8: Attach the Order Form in an e-mail and send to [orders@myhouseoutdoors.com](mailto:orders@myhouseoutdoors.com)**



# Designer Series Order Form

Order Date \_\_\_\_\_ P.O. # \_\_\_\_\_ Dealer: \_\_\_\_\_

## Customer Profile

**Name:** \_\_\_\_\_ **Address:** \_\_\_\_\_  
**E-mail:** \_\_\_\_\_ **City:** \_\_\_\_\_  
**Home Phone:** \_\_\_\_\_ **State:** \_\_\_\_\_  
**Cell Phone:** \_\_\_\_\_ **ZIP:** \_\_\_\_\_

## Island Models

### Island Models

- DS1**
  - Smoker Extension Right
  - Smoker Extension Left
- DS2**
  - Smoker Extension Right
- DS3**
  - Smoker Extension Right
- DS4**
  - Smoker Extension Left
- DS5**
  - Smoker Extension Right
- DS6**
  - Smoker Extension Right

### Stucco

- Brushwood
- Clay Powder
- Slate
- Tundra

### Stone

- Gola
- Matera
- Cremona
- Bergamo

### Grill

- Titan 4 Burner
- Other Grill (Opening)\* Brand \_\_\_\_\_ Model \_\_\_\_\_

### Granite

- Baltic Brown
- Venetian
- Black (Leather Finish / Chiseled Edge)

### Side Finishes

- No Stone (All Stucco)
- Back & End Stone Sides
- All Stone Sides

### Body Tile

- Beach
- Low Tide
- Night Fog
- Dock Side
- Harbor Mist
- Ship Lap
- Pier

### Border Tile

- Harbor Mist
- Pier

### Upgrades

- Fitted Cover
- Infrared Sear Burner
- Rotisserie
- Umbrella Hole
- External Electrical Outlet
- Single Side Burner

### Gas Type

- LP  NG

### Hard Wired

- Yes  No

## Fireplace Models

### Fireplace Models

- DFP1
- DFP2
- DFP3

### Stone

- Gola
- Matera
- Cremona
- Bergamo

### Upgrades

- Log Lighter Kit
- Stone Mantle
- Log Set w/ Key Valve
- Arched Opening
- Chimney Extension
- Large Wood Box (Pair)
- Straight Seat Wall (Pair)

### Gas Type

- LP
- NG

## Pergola Models

### Pergola Models

- DSP1**
  - 10 x 10
  - 12 x 10
  - 12 x 12
  - 14 x 12
  - 14 x 14
  - 16 x 14
  - 16 x 16
  - 18 x 16
  - 18 x 18
- DSP2**
  - 10 x 10
  - 12 x 10
  - 12 x 12
  - 14 x 12
  - 14 x 14
  - 16 x 14
  - 16 x 16
  - 18 x 16
  - 18 x 18
- DSP3**
  - 12 x 10
  - 14 x 12
  - 16 x 14
  - 18 x 16



### Upgrades

- Clear Sealer
- Stained Pergola  
Color: \_\_\_\_\_
- Trellis Top
- Copper Caps
- Straight Corner Supports
- Decorative Arches
- Tongue & Groove Top
- White Fan Kit
- Tropical Fan Kit
- Bronze Fan Kit
- Up/Down Lighting
- Infrared Heater
- 24" Stone Bases
  - Gola
  - Matera
  - Bergamo
  - Cremona
- Metal Roof
  - Forest Green
  - Brown
  - Bright Red
  - Black

## Firepit Models

### Firepit Models

- DSF1
- DSF2

### Stone

- Gola
- Matera
- Cremona
- Bergamo

### Granite

- Baltic Brown
- Venetian
- Black (Leather Finish / Chiseled Edge)

### Upgrades

- Glass Shield
- Fitted Cover

### Gas Type

- LP
- NG

**\*DISCLAIMER:** Unless Housewarmings Outdoor has build a gauge for your selected grill, grill opening will be made to Manufacturer's specifications. Housewarmings Outdoor CANNOT guarantee proper fitment of the grill, due to past issues with the manufacturer specifications. For the best result, we recommend you send the grill to us, in order to make a proper gauge for production use. Housewarmings Outdoor WILL NOT take responsibility for improper fitment if the opening is made to manufacturer specifications.

\*This form must accompany all "Designer Series" purchase orders and be emailed to [orders@myhouseoutdoors.com](mailto:orders@myhouseoutdoors.com)

**HOUSEWARMINGS OUTDOOR** warrants the structural frame (or core) of the Island, Firepit, Firetable and Fireplace to maintain its integrity for a period of 5 years from its date of purchase. This warranty applies to the original owner and is non-transferable.

Note: Pergola warranty is limited to components and hardware. All wood components are excluded.

**DECORATIVE FINISHES** are warranted to be free of defects at the time of delivery and installation. This warranty includes, but not limited to, tile, stucco, grout, stone, granite and brick.

- All products **MUST** be covered during the winter months and extended periods of non-use
- All granite surfaces **MUST** be sealed every 6 months with a water based granite sealer
- All grout **MUST** be sealed every 6 months with a water based grout sealer
- Flames from firepits may not touch finished surfaces (do not operate firepit during windy conditions).

**DEFECTS** in materials and workmanship are warranted for one year from time of purchase.

**MANUFACTURERS WARRANTY** is extended through the manufacturer for components and accessories. These items include, but are not limited to, grills, refrigerators, keg coolers, doors, drawers, stereos and speakers. Refer to owners manuals of the components that are included in Housewarmings Outdoor product.

**PERFORMANCE WARRANTY:** In the event of a defect or malfunction which is covered under the terms of this warranty, a factory authorized service agent will perform the repair. Contact your selling dealer to arrange for service. If the dealer is unable to provide adequate service then you may contact Housewarmings Outdoor to report the failure. There will be no charge for parts or labor for any warranty issue that is covered under these terms; however, there may be reasonable mileage or travel charge per service call. If Housewarmings Outdoor determines that the repair of a covered item is not feasible, we reserve the right to replace the defective item with a new item of equal value. This warranty is not transferable and may not extend beyond the above mentioned time frames by any Housewarmings Outdoor representative.

Any minor discrepancies that may occur to finishes (such as tile, stone, stucco, granite, etc.) during or after warranty period **ARE NOT** typically considered to be a warranty issue. For this reason, we include repair kits for all finishes, to allow your dealer to make these repairs when necessary.

**WARRANTY LIMITATIONS** apply if the item has been subjected to neglect, misuse, alteration, unauthorized repairs, relocation, dents, dings, scratches, in correct applications. All gas connects must have been performed by a licensed plumber. All electrical connections must have been performed by a licensed electrician. Acts of God and all other uncontrollable events are not covered by this warranty.

Examples of acts that **ARE NOT** covered by this warranty include, but not limited to:

- Scratches caused by normal use or abuse.
- Damage due to extreme weather (hot, cold, rain, snow, etc.)
- Variation in colors due to exposure to sunlight, rain, wind, snow, etc.
- Damage caused by dirt, debris, or water damage.
- Damage caused by moving, repositioning or relocating of product.
- Failure to follow operation instructions of any included components or hardware.
- Failure to maintain the product in a reasonable/responsible manner.
- Operation of fire pit during windy conditions.

## Completed by Customer

Print Name \_\_\_\_\_

Date \_\_\_\_\_

Signature \_\_\_\_\_





# Designer Series

catalog no. 2018

**Summerbrook**  
O u t d o o r s

Website: [www.SummerbrookOutdoors.com](http://www.SummerbrookOutdoors.com) Phone: 877.336.8836

Custom Outdoor Rooms • Kitchen Islands • Pergolas  
Outdoor Fireplaces & Firepits